

FGR200-Positive Displacement Flow Meter(Gear Flow Meter)

- ▶ High pressure rating
- ▶ Applicable to various viscous media
- ▶ High repeatability and accuracy
- ▶ Pulse / analog output selectable
- ▶ Wide measuring range

FGR200 positive displacement flow meter measures the flow on the volumetric principle, in which gearwheels is moved proportional to the flow rate. The movement of the gearwheels is measured through the enclosing housing wall by a sensor.

Immune to medium viscosity. Higher trundown ratio, accuracy, resolution and responsibility, as well as for measuring the very-low flow.

FGR200 flow meters are bi-directional and can be used to measure the cylinder position without damaging internal parts.

Assembled with journal bearings FGR200 can measure low or non-lubricating fluids, such as paints, glues, resin, sealant etc.

The FGR200 series of positive displacement flow meters have 8 measuring ranges from 0.006 ... 1L/min through 4.0 ... 450L/min. Optional pickoffs for pulse output, current analog output and voltage analog output.



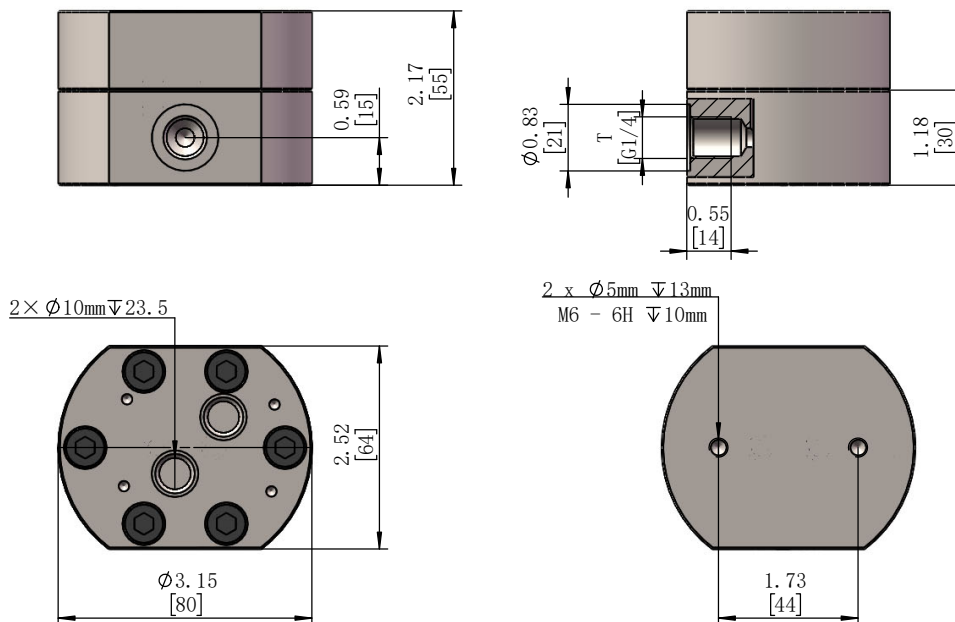
Applicable Medium	Liquids
Accuracy (at 30cst)	+0.5% of reading (turndown ratio of 1:10); +1% of reading (measuring range)
Repeatability	+0.1% of reading
Pressure Rating	420bar (stainless steel); 100bar (aluminum)
Ambient Temperature	-40...85°C
Medium Temperature	-40...100°C (Max. 200C for high tem perature type)
Materials	
Body	316 stainless steel or aluminum
Gear	316 stainless steel
Sealing	FPM (NBR, PTFE optional)
Bearing	Stainless steel ball bearing

Applications

- ▶ Printing ink measurement
- ▶ Resin/glue/silica gel measurement
- ▶ Hydraulic oil/lubricating oil/grease measurement
- ▶ Cooling liquid measurement
- ▶ Solvent measurement
- ▶ Fuel oil measurement
- ▶ Polyurethane measurement
- ▶ Braking fluid measurement
- ▶ Cylinder position measurement

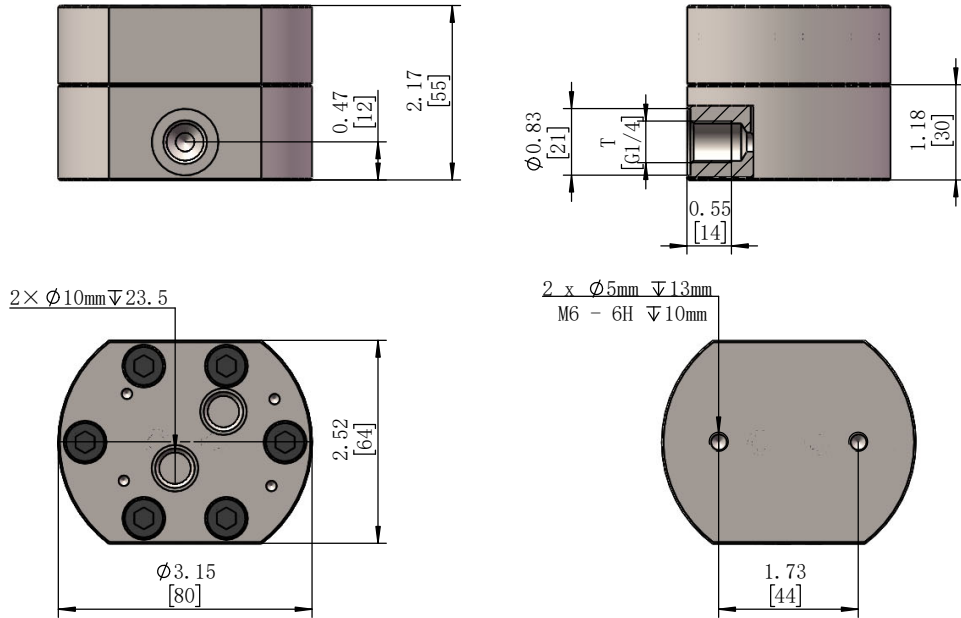
Dimensions inch[mm]

FG0002/FG1002 - 2L/Min

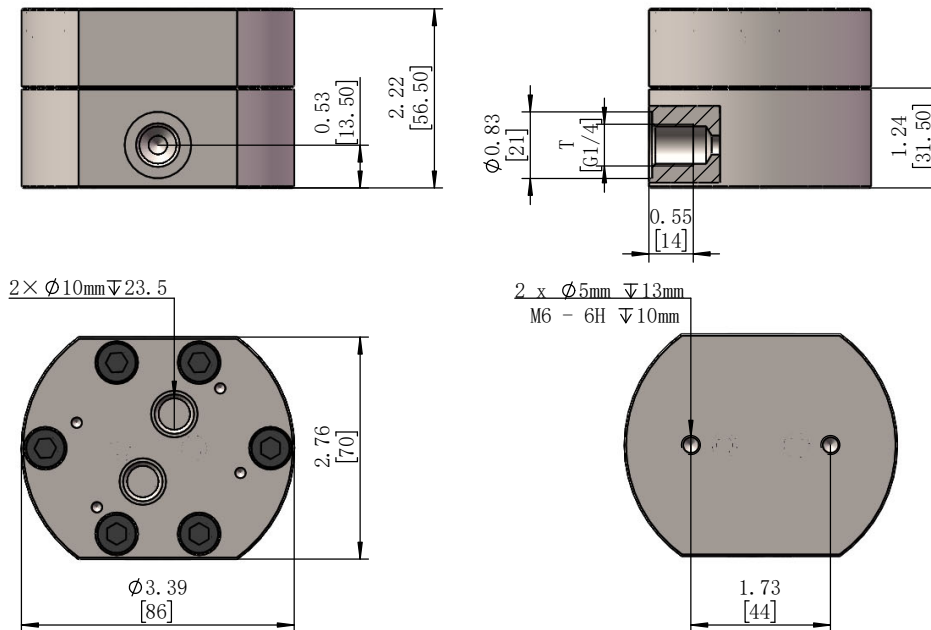


Dimensions inch[mm]

FG0003/FG1003 - 3L/Min

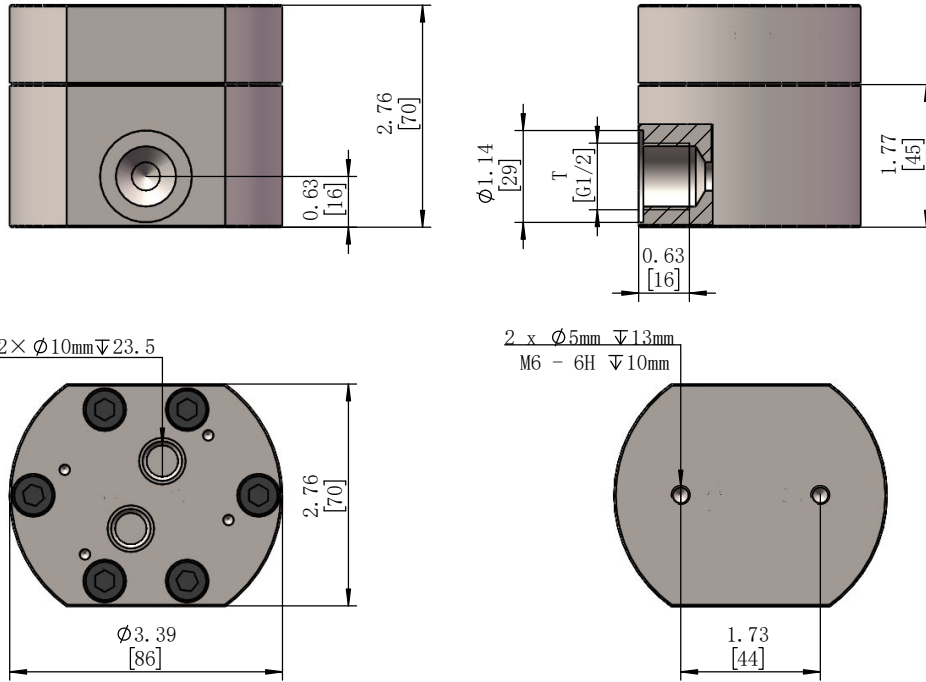


FG0008/FG1008 - 7.5L/Min

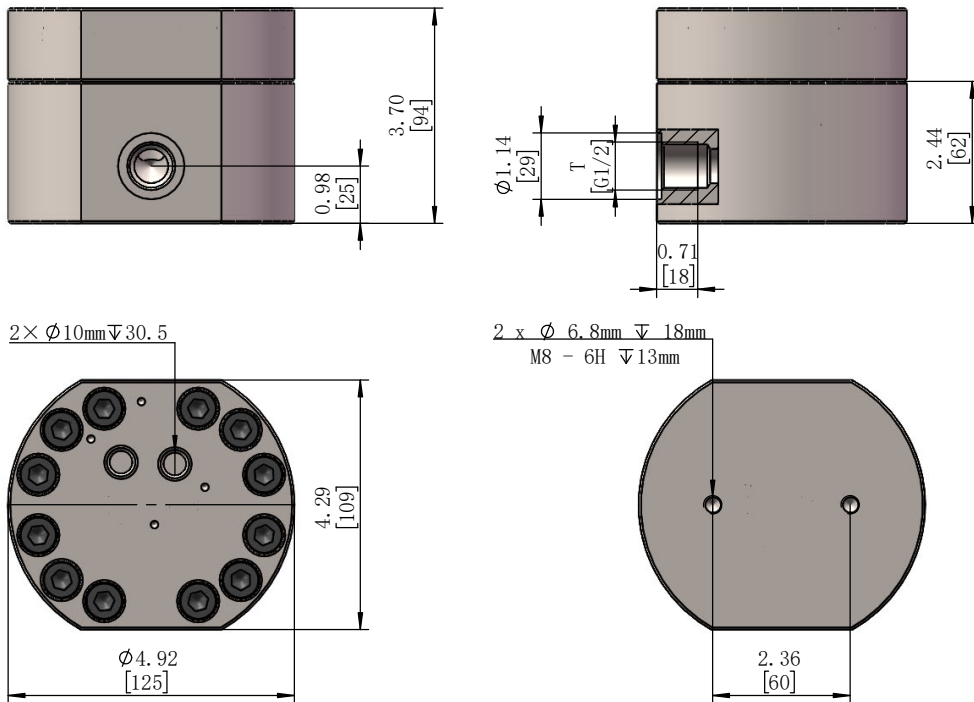


Dimensions inch[mm]

FG0025 FG1025 - 25L/Min

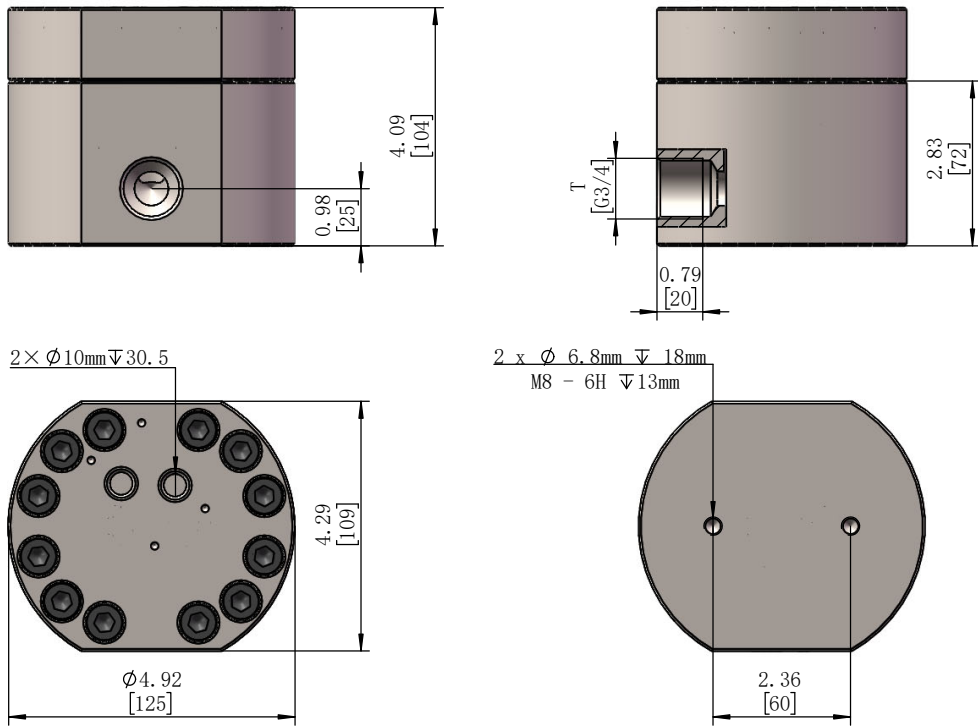


FG0040/FG1040 - 40L/Min

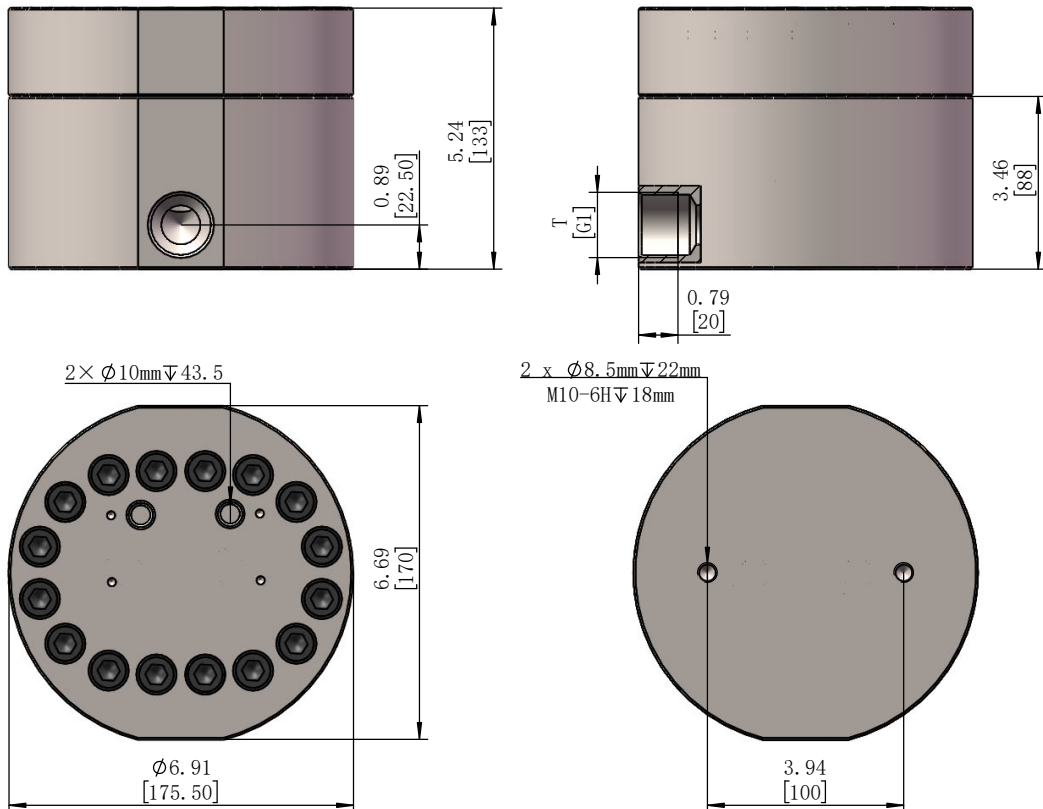


Dimensions inch[mm]

FG0075 FG1075 - 75L/Min

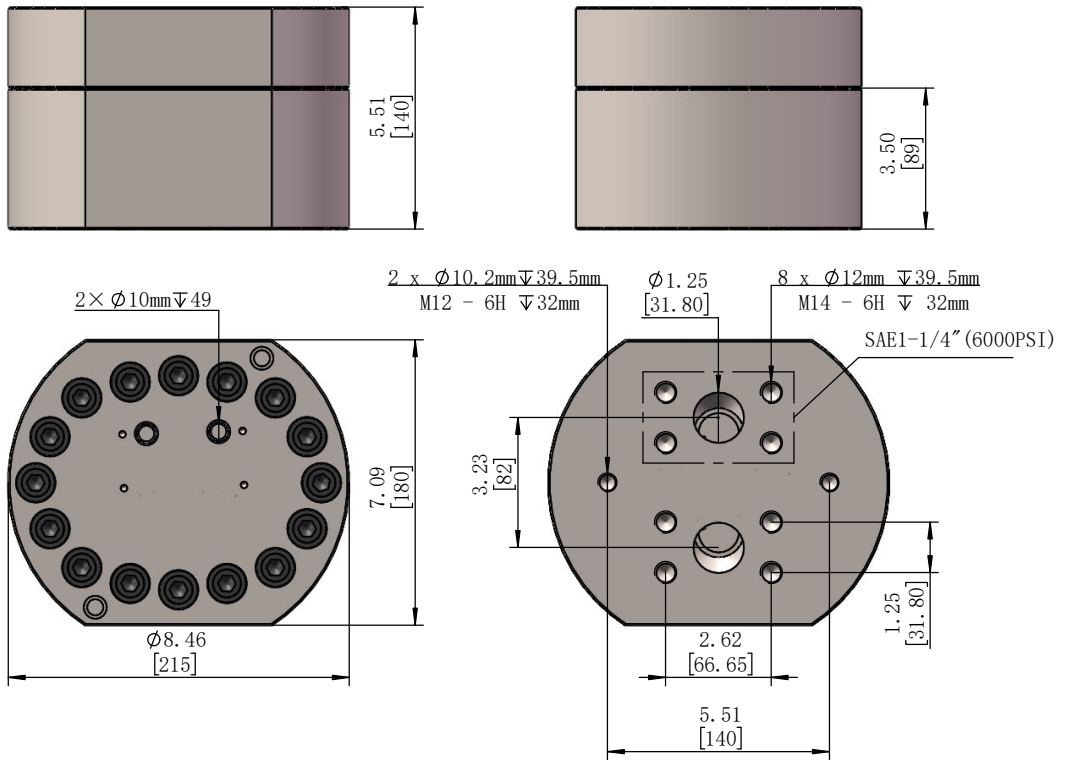


FG00FA/FG10FA - 150L/Min

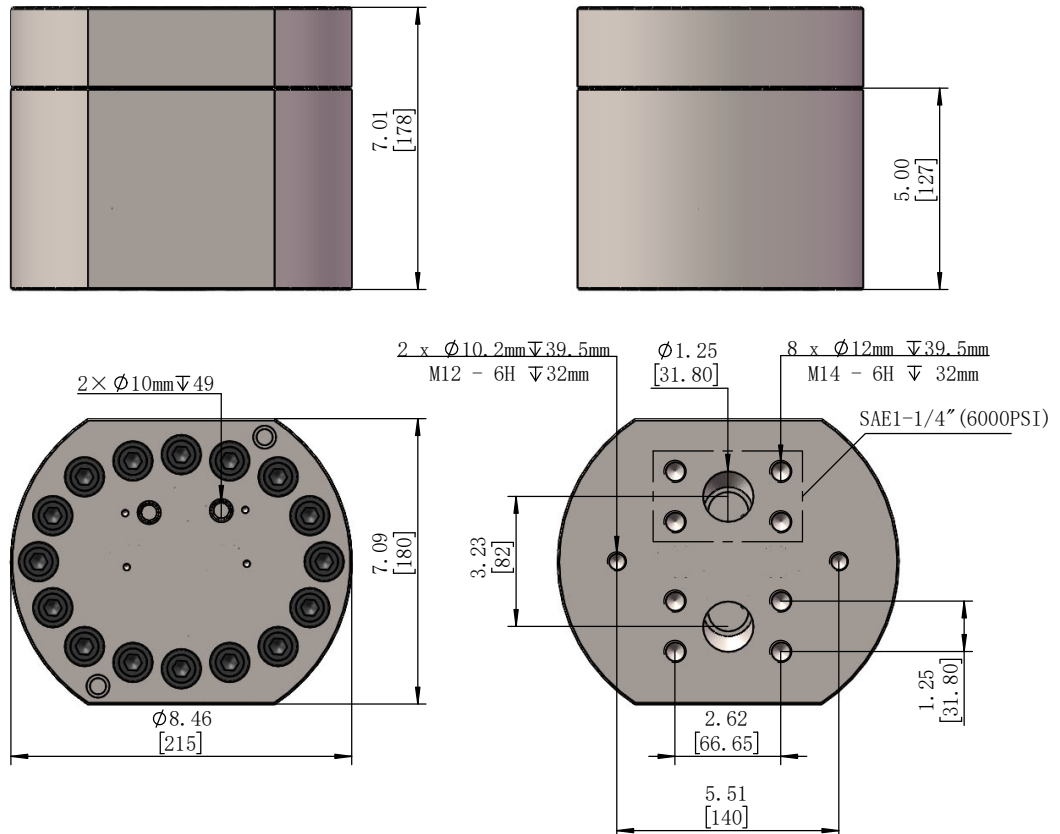


Dimensions inch[mm]

FG00FF/FG10FF - 225L/Min



FG00UF/FG10UF - 450L/Min



Model Number

OrderNO.	Type	Material	Measuring L/Min	K Coefficient IMPULSE/L	MAX pressure Bar	Connection	Max. Filter Diameter (micron)
FG0002	FGR200G1/4SBBF2L	316 stainless steel	0.006—2.0	40000	690	G1/4	30
FG0003	FGR200G1/4SBBF3L		0.02—3.0	13500	690	G1/4	30
FG0008	FGR200G1/4SBBF7.5L		0.05—7.5	4200	690	G1/4	30
FG0025	FGR200G1/2SBBF25L		0.2—25.0	1400	690	G1/2	30
FG0040	FGR200G1/2SBBF40L		0.4—40.0	840	690	G1/2	30
FG0075	FGR200G3/4SBBF75L		0.5—75.0	450	690	G3/4	200
FG00FA	FGR200G1SBBF150L		1.0—150.0	190	420	G1	200
FG00FF	FGR200S114SBBF225L		2.0—225.0	110	420	SAE1-1/4"	200
FG00UF	FGR200S114SBBF450L		3.5—450.0	55	420	SAE1-1/4"	200
FG1002	FGR200G1/4ABBF2L	Aluminum	0.006—2.0	40000	250	G1/4	30
FG1003	FGR200G1/4ABBF3L		0.02—3.0	13500	250	G1/4	30
FG1008	FGR200G1/4ABBF7.5L		0.05—7.5	4200	250	G1/4	30
FG1025	FGR200G1/2ABBF25L		0.2—25.0	1400	250	G1/2	30
FG1040	FGR200G1/2ABBF40L		0.4—40.0	840	250	G1/2	30
FG1075	FGR200G3/4ABBF75L		0.5—75.0	450	250	G3/4	200
FG10FA	FGR200G1ABBF150L		1.0—150.0	190	150	G1	200
FG10FF	FGR200S114ABBF225L		2.0—225.0	110	150	SAE1-1/4"	200
FG10UF	FGR200S114ABBF450L		3.5—450.0	55	150	SAE1-1/4"	200

Optional sensor type

