

FVX700S-Sanitary Vortex Flow Meter

- ▶ Applicable to food and pharmaceutical industry
- ▶ Standard tri-clamp connection
- ▶ Stainless steel structure
- ▶ Operating temperature up to 250°C
- ▶ Optional 4...20 mA current output and pulse output

FVX700S is based on Karman vortex effect to work. A columnar object that goes through the entire cross-section of the meter tube creates a vortex when a flow is present. The frequency of the vortex is proportional to flow. FVX700S is specially designed for food sanitation industry and widely used in gas, steam and liquid applications. No moving part; Integral display for instantaneous and total flow; 4...20mA or pulse output.

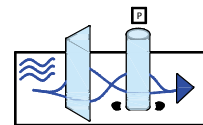


Specifications

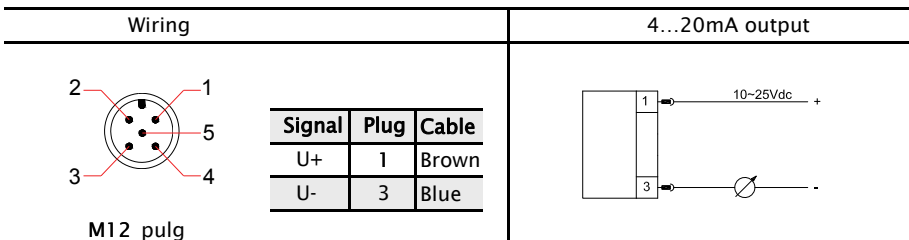
Measuring Range	0.9-38m ³ /h
Applicable Medium	Water
Linearity	Water ≤ 0.7% of measuring range
Repeatability	≤ ± 0.5% of measuring range
Power Supply	10...25Vdc
Current Consumption	≤ 20mA
Analog output	2-wire 4...20mA
Wiring Protection	Reverse polarity
Ambient Temperature	-20...70°C
Medium Temperature	-40...250°C
Pressure Rating	25bar
Protection Class	IP65
Materials	
Electrical Housing	316L stainless steel
Connection Thread	316L stainless steel
Body	316L stainless steel
Sensor	316L stainless steel
O-ring	NBR
Electrical Connection	M12x1 plug

Applications

- ▶ Food industry
- ▶ Pharmaceutical industry
- ▶ Brewing industry

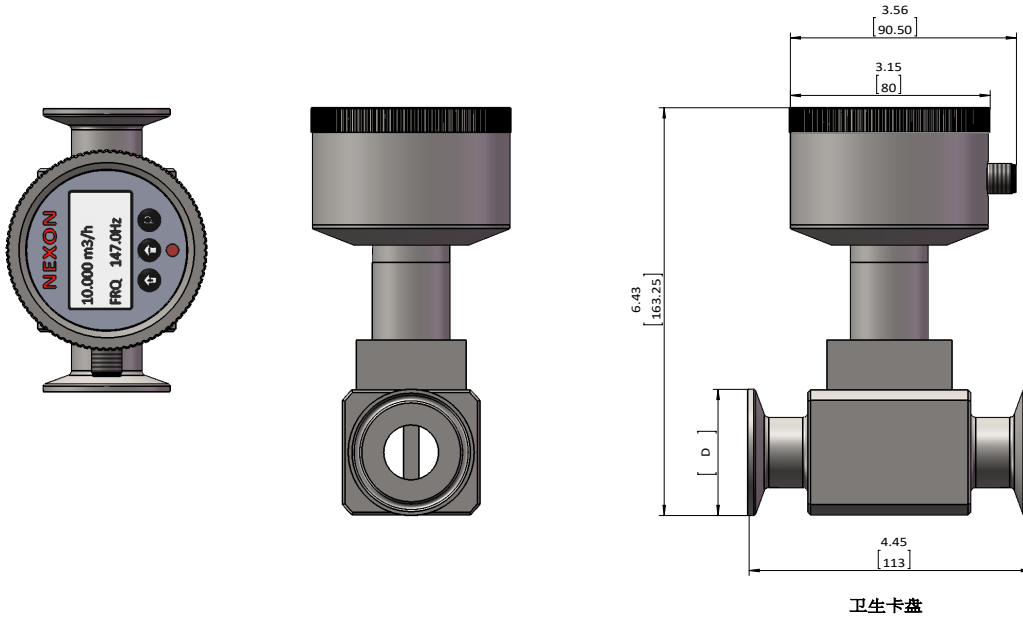


Wiring Diagram 2 Analog Output



Dimensions in inch[mm]

FLOW



Model Number

OrderNO.	Type	DN	Measuring range m3/h	Process connection ChuckD
FV7025	FVX700SDN25-01ASL010	1"(DN25)	0.9-10m3/h	50.5 Sanitary chuck
FV7040	FVX700SDN40-112ASL026	1-1/2"(DN40)	2.5-26m3/h	50.5 Sanitary chuck
FV7050	FVX700SDN50-02ASL038	2"(DN50)	3.5-38m3/h	64 Sanitary chuck