

**PA1000 - Compact Pressure Transmitter**

- ▶ Compact design
- ▶ Housing diameter  $\Phi 22$
- ▶ Measuring range from 0...4barG to 0...400barG
- ▶ High shock resistance
- ▶ 2-wire 4...20mA output
- ▶ Ceramic thick film sensing element

Equipped with a ceramic thick film sensing element, PA1000 converts the measured pressure to 4...20mA as output. All-metal housing makes it suitable for various working conditions while multiple process connections makes installation easier.



**Specifications**

<b>Power Supply</b>	
Current output	10...30Vdc
<b>Current Consumption</b>	
2-wire	Same as current output(4...20mA)
<b>Current Analog Output</b>	
Output	2-wire 4...20mA
LoadRA( $\Omega$ )	RA (Us-10)V/0.02A
Linearity	$\leq \pm 0.5\%$ of F.S.
Response Time	$\leq 1$ ms
Repeatability	$\leq \pm 0.1\%$ of F.S.
Accuracy	$\leq \pm 0.5\%$ of F.S.
Stability(Drift/Year)	$\leq \pm 0.3\%$ of F.S.
<b>Temperature</b>	
Medium	-20...+85°C
Ambient	-20...+85°C
<b>Material</b>	
Housing	304 stainless steel
Wetted Parts	304 stainless steel
<b>Protection Class</b>	IP67(M12x1 plug)
<b>Wiring method</b>	M12x1 plug
<b>Electrical Connection</b>	G1/4 ED seal with male thread

**Applications**

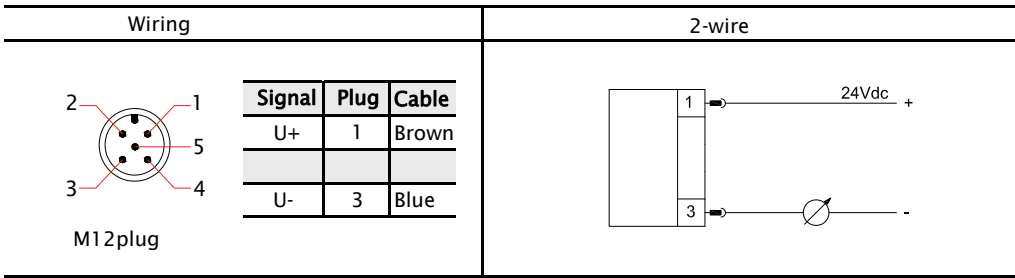
- ▶ Hydraulics and pneumatics
- ▶ Machine tools
- ▶ Machinery manufacturing
- ▶ Pumps and compressors
- ▶ Test equipment
- ▶ Construction automation

PRESSURE

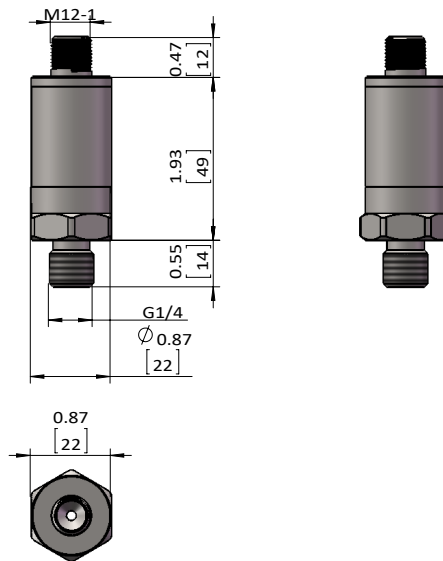
**Technical Data**

Pressure Range	bar	4	6	10	16	25	40	60	100	160	250	400
Overload Pressure		Pressure Range x 2.0										
Burst Pressure		Pressure Range x 5.0										<1500bar

### Wiring



### Dimensions in inches (mm)



PRESSURE

### Model Number

OrderNO.	Type	Range Bar	Pressure type	Output type mA
PA00001	PA1000/B001P0242G14MS	0...1	Positive Pressure	Current Output 2-wire(4...20mA)
PA00004	PA1000/B004P0242G14MS	0...4		
PA00006	PA1000/B006P0242G14MS	0...6		
PA00010	PA1000/B010P0242G14MS	0...10		
PA00016	PA1000/B016P0242G14MS	0...16		
PA00025	PA1000/B025P0242G14MS	0...25		
PA00040	PA1000/B040P0242G14MS	0...40		
PA00060	PA1000/B060P0242G14MS	0...60		
PA00100	PA1000/B100P0242G14MS	0...100		
PA00160	PA1000/B160P0242G14MS	0...160		
PA00250	PA1000/B250P0242G14MS	0...250		
PA00400	PA1000/B400P0242G14MS	0...400		