

PA1500 - Compact Strong Pressure Transmitter

- ▶ All stainless steel structure compact diameter 22mm
- ▶ Measuring range from 0...2000bar
- ▶ High shock resistance
- ▶ 2-wire 4...20mA output
- ▶ High accuracy up to 0.5%FS
- ▶ Operating temperature range -40-125°C

PA1500 series adopts sputtering film technology, specially designed for hydraulic machinery and construction machinery. Full metal casing, hydraulic shock resistance, and wide temperature range enable the series to be used in a variety of harsh work scenarios. A variety of output types and connections are available to meet specific installation needs.



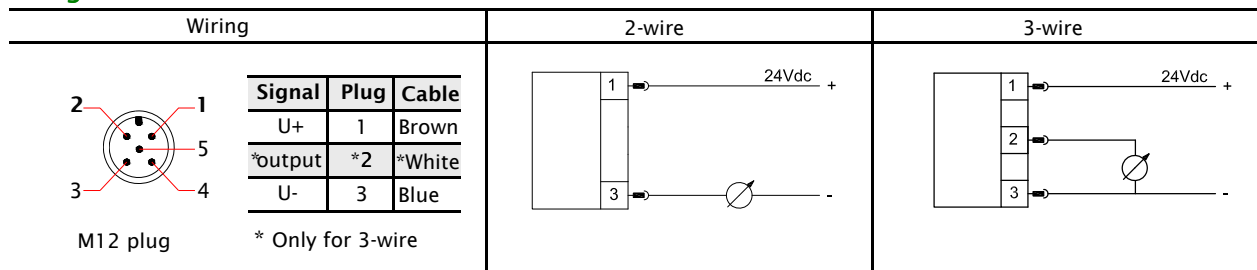
Specifications

Power Supply	
Current output	10...30Vdc
Current Consumption	
2-wire	Same as current output(4...20mA)
Current Analog Output	
Output	2-wire 4...20mA
LoadRA(Ω)	RA(Us-10)V/0.02A
Linearity	≤±0.25% of F.S.
Voltage Analog Output	
Output	2-wire 0...5V
LoadRA(Ω)	RA≥5K
Linearity	≤±0.25% of F.S.
Accuracy	
	≤±0.5% of F.S.
Stability(Drift/Year)	
	≤±0.2% of F.S.
Temperature	
Medium	-40...+125°C
Ambient	-20...+85°C
Material	
Housing	304 stainless steel
Wetted Parts	304 stainless steel
Protection Class	
	IP67(M12×1 plug)
Wiring method	
	M12×1 plug
Process connection	
	G1/4 ED seal with male thread\M20×1.5 male thread

Technical Data

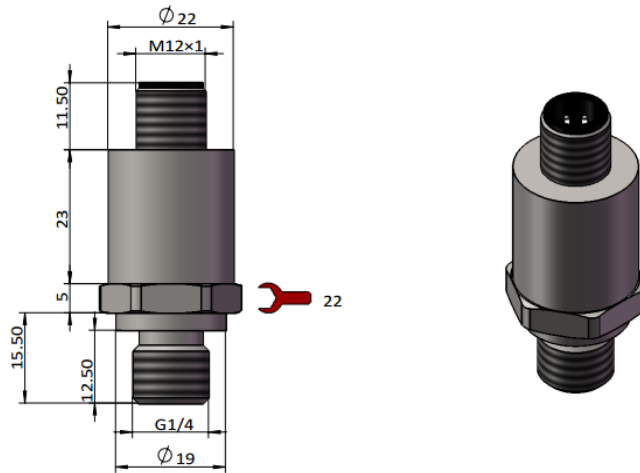
Pressure Range	bar	25	40	60	100	160	250	400	600	700	800	1000	
Overload Pressure	✗	Pressure Rangex2.0 (Optional pressure rangex4.0)						Pressure Rangex2.0					
Burst Pressure	✗	Pressure Rangex5.0 (Optional pressure rangex6.0)						Pressure Rangex3.0			<1500bar		

Wiring



PRESSURE

Dimensions in inches (mm)



Model Number

OrderNO.	Type	Range Bar	Electrical Connection G/M	Output type mA/V
PC00025	PA1500/B025P0242G14MS	0...25	G1/4	Current Output 2-wire(4...20mA)
PC00040	PA1500/B040P0242G14MS	0...40		
PC00060	PA1500/B060P0242G14MS	0...60		
PC00100	PA1500/B100P0242G14MS	0...100		
PC00160	PA1500/B160P0242G14MS	0...160		
PC00250	PA1500/B250P0242G14MS	0...250		
PC00400	PA1500/B400P0242G14MS	0...400		
PC00600	PA1500/B600P0242G14MS	0...600		
PC20A00	PA1500/B1000P0242G14MS	0...1000	M20x1.5	
PC20Z00	PA1500/B2000P0242G14MS	0...2000		
PC01025	PA1500/B025P0305G14MS	0...25	G1/4	Voltage Output 3-wire(0...5V)
PC01040	PA1500/B040P0305G14MS	0...40		
PC01060	PA1500/B060P0305G14MS	0...60		
PC01100	PA1500/B100P0305G14MS	0...100		
PC01160	PA1500/B160P0305G14MS	0...160		
PC01250	PA1500/B250P0305G14MS	0...250		
PC01400	PA1500/B400P0305G14MS	0...400		
PC01600	PA1500/B600P0305G14MS	0...600		
PC21A00	PA1500/B1000P0305G14MS	0...1000	M20x1.5	
PC21Z00	PA1500/B2000P0305G14MS	0...2000		

PRESSURE