

**PAF100-Sanitary Pressure Transmitter**

- ▶ Compact design
- ▶ High pressure rating
- ▶ Measuring range from 0...25bar
- ▶ High shock resistance
- ▶ Accuracy 0.5% F.S.



Equipped with a ceramic thick film pressure sensor (for pressure <10bar) or stainless steel thin film pressure sensor (for pressure >10bar), PAF100 converts the measured pressure electric signal as output. All-metal housing makes it suitable for various working conditions while multiple process connections makes installation easier, Optiona 0... 20mA and 4... 20mA current analog output available.

**Specifications**

<b>Power Supply</b>	
Current output	10...30Vdc
<b>Current Consumption</b>	Same as current output(4...20mA)
<b>Current Analog Output</b>	
Output	4...20mA
LoadRA(Ω)	RA ≤(Us-10)V/0.02A
Linearity	≤±0.25% of F.S.
<b>Accuracy</b>	≤±0.5% of F.S.
<b>Stability(Drift/Year)</b>	≤±0.2% of F.S.
<b>Temperature</b>	
Medium	-30...85°C
Ambient	-30...85°C
<b>Material</b>	
Housing	304 stainless steel
Wetted Parts	316L stainless steel
<b>Protection Class</b>	IP65
<b>Wiring method</b>	Solenoid plug
<b>Process connection</b>	Sanitary chuck 50.5mm

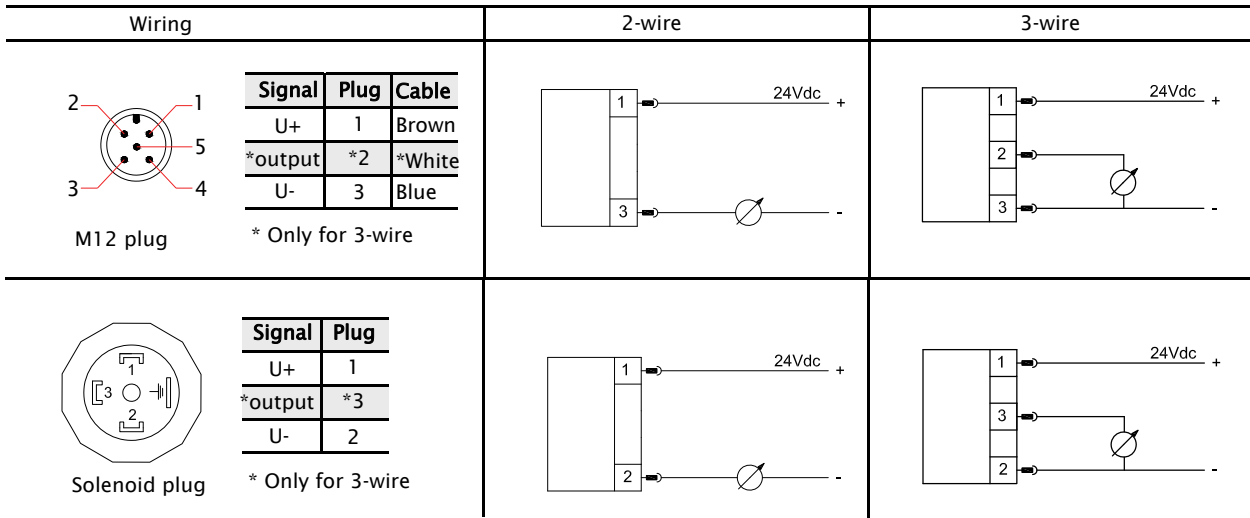
**Applications**

- ▶ Food industry
- ▶ Brewing industry
- ▶ Pharmaceutical industry

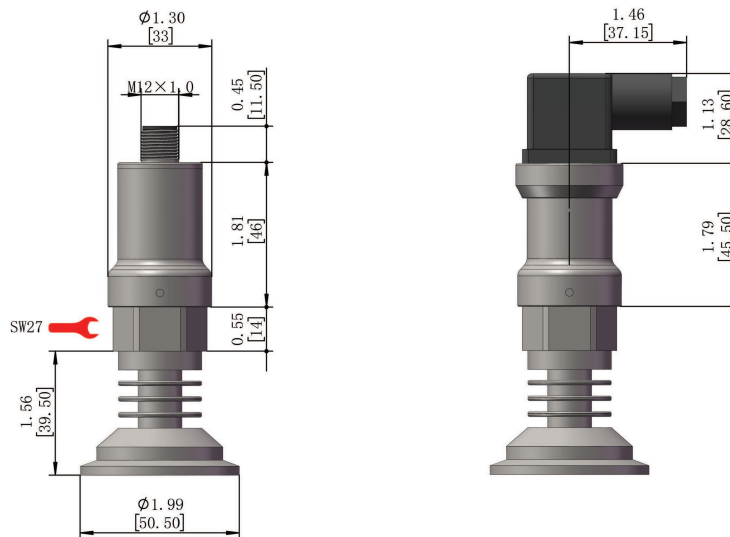
**Technical Data**

Pressure Range	bar	<0.1	0.1	0.25	0.4	0.6	1	4	6	10	16	25
	psi	1.5	1.45	3.62	5.8	8.7	14.5	58	87	145	230	370
Overload Pressure	X	x2	x5				x4			x3		
Burst Pressure	X	x3	X6				X5			x4		

### Wiring



### Dimensions in inches (mm)



### Model Number

OrderNO.	Type	Range Bar	Output type mA
PF000,1	PAF100/B00.1P0242-BT1H/	0...0.1	Current Output 4...20mA
PF000,3	PAF100/B00.3P0242-BT1H/	0...0.3	
PF000,5	PAF100/B00.5P0242-BT1H/	0...0.5	
PF0001	PAF100/B001P0242-BT1H/	0...1	
PF0003	PAF100/B003P0242-BT1H/	0...3	
PF0005	PAF100/B005P0242-BT1H/	0...5	
PF0006	PAF100/B006P0242-BT1H/	0...6	
PF0010	PAF100/B010P0242-BT1H/	0...10	
PF0016	PAF100/B016P0242-BT1H/	0...16	
PF0025	PAF100/B025P0242-BT1H/	0...25	