

LA2000 - Float Level Transmitter

- ▶ Economical liquid level transmitter
- ▶ No impact on measuring from container inner pressure
- ▶ Multiple outputs selectable
- ▶ Easy to use, applicable to various medium
- ▶ Stainless steel wetted parts
- ▶ Measuring range up to 2m

The principle of LA2000 is that under the action of liquid buoyancy, the floating ball with magnetic steel moves up and down along the guide rod, and the magnetic switch in the guide rod is continuously triggered. The magnetic switch controls the number of resistance on or off, and the liquid level change is converted into resistance change. The resistance value is converted into standard electrical signal output and displayed after processing by the back circuit.

The all-metal housing design enables the series to be used in a variety of industrial applications. A variety of connection methods can fully meet a variety of specific installation requirements.

Specifications

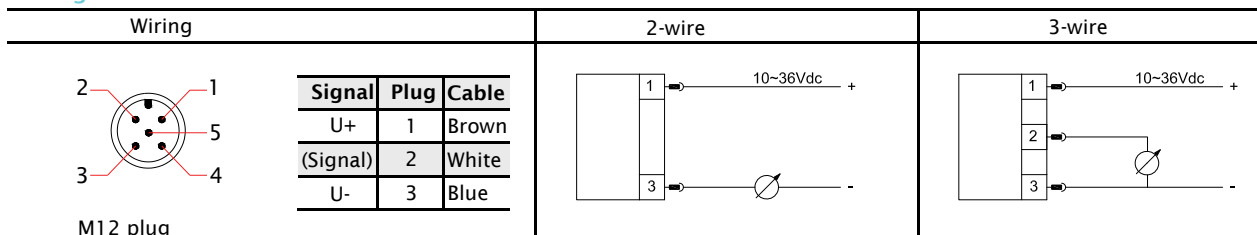
| | |
|-------------------------------------|---|
| Measuring Range (Rod length) | 250mm/ 500mm/ 750mm 1000mm/1500mm/2000mm |
| Applicable Medium | Corrosive liquids compatible with 304(316/PTFE) stainless steel |
| Resolution | For details please see 'technical data |
| Pressure Rating | 20bar |
| Medium Density | ≥0.7g/cm ³ |
| Power Supply | 10...36Vdc |
| Current Consumption | |
| 2-wire | Same as current output (4...20mA) |
| 3-wire | ≤22mA |
| 2-wire Current Analog Output | |
| Output | 2-wire 4...20mA |
| Load RA (Ω) | RA (Us-10)V/0.02A |
| Linearity | ≤±1.5% of F.S. |
| 3-wire Voltage Analog Output | |
| Output | 3-wire 0...5V |
| Load RA (Ω) | RA ≥5 |
| Linearity | ≤±1.5% of F.S. |
| Wiring Protection | Reverse polarity |
| Temperature | |
| Medium | -40...85℃ |
| Ambient | -40...85℃ |
| Storage | -40...85℃ |
| Material | |
| Housing | 304 stainless steel |
| Process Connection | 304 stainless steel |
| Float and Rod | 304 stainless steel |
| Protection Class | IP67 |
| Electrical Connection | M12×1 plug |
| Process Connection | G2 external thread |



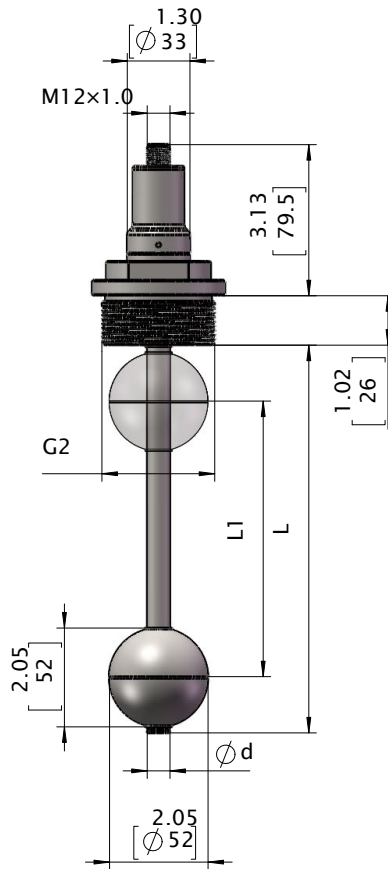
Applications

- ▶ Food/pharmaceutical industry
- ▶ Power plant
- ▶ Petrochemical
- ▶ Water treatment
- ▶ Boiler
- ▶ Papermaking

Wiring



Dimensions in inches (mm)



Model Number

| OrderNO. | Type | Rod Length mm | Effective Length mm | Resolution mm | Output type mA/V |
|----------|-------------------|---------------|---------------------|---------------|--|
| LA0025 | LA2000/24GSM250C | 250mm | 190 | 8 | Current analog output 2-wire 4...20mA |
| LA0050 | LA2000/24GSM500C | 500mm | 440 | 8 | |
| LA0075 | LA2000/24GSM750C | 750mm | 690 | 8 | |
| LA0100 | LA2000/24GSM1000C | 1000mm | 940 | 15 | |
| LA0150 | LA2000/24GSM1500C | 1500mm | 1440 | 15 | |
| LA0200 | LA2000/24GSM2000C | 2000mm | 1940 | 15 | |
| LA1025 | LA2000/30GSM250C | 250mm | 190 | 8 | Voltage analog output 3-wire 0...5V |
| LA1050 | LA2000/30GSM500C | 500mm | 440 | 8 | |
| LA1075 | LA2000/30GSM750C | 750mm | 690 | 8 | |
| LA1100 | LA2000/30GSM1000C | 1000mm | 940 | 15 | |
| LA1150 | LA2000/30GSM1500C | 1500mm | 1440 | 15 | |
| LA1200 | LA2000/30GSM2000C | 2000mm | 1940 | 15 | |