

PA2000 - General Pressure Transmitter

- ▶ Diffused silicon pressure sensor and DN27
- ▶ Measuring range from 0...800bar
- ▶ Multiple output modes are available
- ▶ 304 stainless steel wetted parts
- ▶ Optional corrosion resistant model
- ▶ Accuracy 0.25% of F.S

Equipped with a diffused silicon sensing element, PA2000 converts the measured pressure to 0...20mA/4...20mA/0...5V/1...5V/0...10V as output. All-metal housing makes it suitable for various working conditions while multiple process connections makes installation easier.



Specifications

Power Supply	
Current output	10...30Vdc
Voltage output	14...30Vdc
Current Consumption	
2-wire	Same as current output(4...20mA)
3-wire	≤22mA
2-wire Current Analog Output	
Output	2-wire 4...20mA
LoadRA(Ω)	RA≤(US-10)V/0.02A
Linearity	≤±0.25% of F.S.
Voltage Analog Output	
Output	2-wire 0...5V
LoadRA(Ω)	RA≥5K
Linearity	≤±0.25% of F.S.
Accuracy	≤±0.25% of F.S.
Stability(Drift/Year)	≤±0.2% of F.S.
Temperature	
Medium	-40...85°C
Ambient	-20...85°C
Material	
Housing	304 stainless steel
Wetted Parts	304 stainless steel
Protection Class	IP67(M12×1 plug)
Wiring method	M12×1 plug
Electrical Connection	G1/4 ED seal with male thread

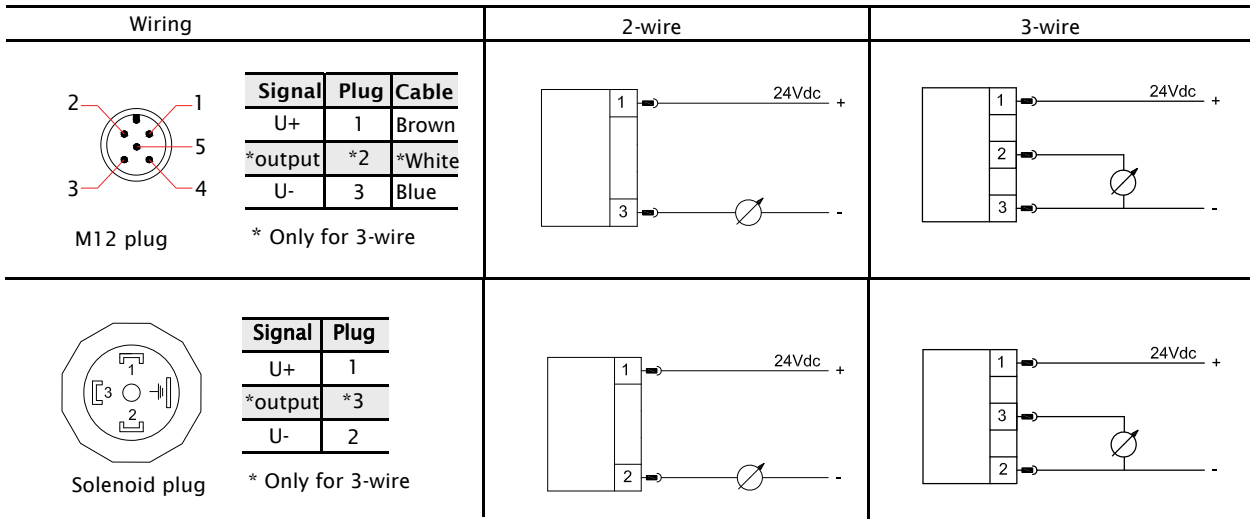
Technical Data

Pressure Range	bar	<0.1	1	2	5	10	16	25	60	100	160	250	400	≥600
Overload Pressure	X	x2	x5			x3			x2			x1.5	x1.3	
Burst Pressure	X	x3	X6			x4			x3			x2	x1.6	

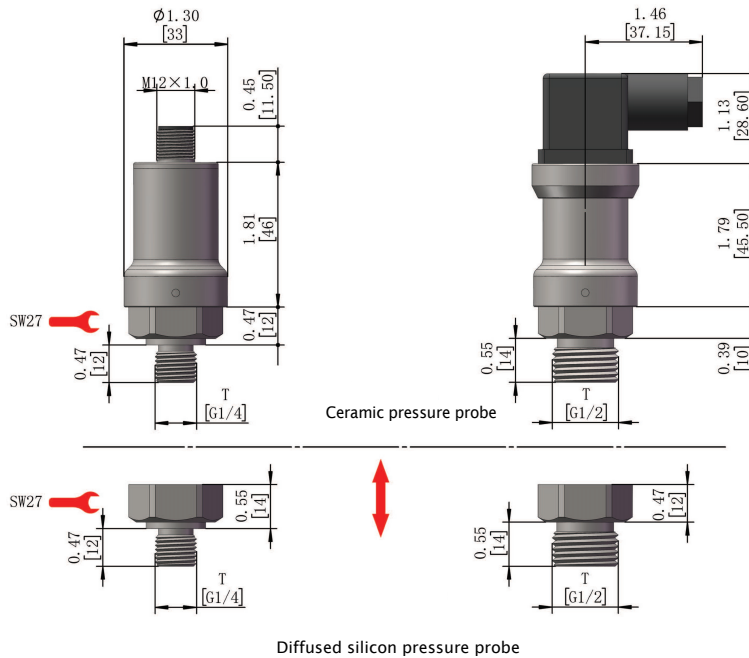
* 4 times overload products (failure pressure is 6 times by default) selection mode: add /HP at the end of the basic model selection

PRRSURE

Wiring



Dimensions in inches (mm)



Model Number

OrderNO.	Type	Range Bar	Pressure type N/P/A	Output type mA/V
PB00N01	PA2000/B001N02/42-SBG14MS	-1...1	Negative Pressure	Current Output 2-wire(4...20mA)
PB00N04	PA2000/B004N02/42-SBG14MS	-1...4		
PB00N06	PA2000/B006N02/42-SBG14MS	-1...6		
PB00N10	PA2000/B010N02/42-SBG14MS	-1...10		
PB00N16	PA2000/B016N02/42-SBG14MS	-1...16		
PB00N25	PA2000/B025N02/42-SBG14MS	-1...25		
PB000,25	PA2000/B000.25P02/42-SBG14MS	0...0.25	Positive Pressure	
PB0000,5	PA2000/B000.5P02/42-SBG14MS	0...0.5		
PB00001	PA2000/B001P02/42-SBG14MS	0...1		
PB00004	PA2000/B004P02/42-SBG14MS	0...4		
PB00006	PA2000/B006P02/42-SBG14MS	0...6		
PB00010	PA2000/B010P02/42-SBG14MS	0...10		
PB00016	PA2000/B016P02/42-SBG14MS	0...16		
PB00025	PA2000/B025P02/42-SBG14MS	0...25		
PB00040	PA2000/B040P02/42-SBG14MS	0...40		
PB00060	PA2000/B060P02/42-SBG14MS	0...60		
PB00100	PA2000/B100P02/42-SBG14MS	0...100		
PB00160	PA2000/B160P02/42-SBG14MS	0...160		
PB00250	PA2000/B250P02/42-SBG14MS	0...250		
PB00400	PA2000/B400P02/42-SBG14MS	0...400		
PB00600	PA2000/B600P02/42-SBG14MS	0...600		
PB00800	PA2000/B800P02/42-SBG14MS	0...800		
PB00A01	PA2000/B001A02/42-SBG14MS	0...1	Absolute Pressure	
PB00A02	PA2000/B002A02/42-SBG14MS	0...2		
PB00A04	PA2000/B004A02/42-SBG14MS	0...4		
PB00A06	PA2000/B006A02/42-SBG14MS	0...6		
PB00A10	PA2000/B010A02/42-SBG14MS	0...10		
PB00A16	PA2000/B016A02/42-SBG14MS	0...16		
PB00A25	PA2000/A025A02/42-SBG14MS	0...25		
PB00A50	PA2000/B050A02/42-SBG14MS	0...50		

Model Number

OrderNO.	Type	Range Bar	Pressure type N/P/A	Output type mA/V
PB01N01	PA2000/B001N03/05-SBG14MS	-1...1	Negative Pressure	Voltage Output 3-wire(0...5V)
PB01N04	PA2000/B004N03/05-SBG14MS	-1...4		
PB01N06	PA2000/B006N03/05-SBG14MS	-1...6		
PB01N10	PA2000/B010N03/05-SBG14MS	-1...10		
PB01N16	PA2000/B016N03/05-SBG14MS	-1...16		
PB01N25	PA2000/B025N03/05-SBG14MS	-1...25		
PB0100,25	PA2000/B000.25P03/05-SBG14MS	0...0.25	Positive Pressure	
PB0100,5	PA2000/B000.5P03/05-SBG14MS	0...0.5		
PB01001	PA2000/B001P03/05-SBG14MS	0...1		
PB01004	PA2000/B004P03/05-SBG14MS	0...4		
PB01006	PA2000/B006P03/05-SBG14MS	0...6		
PB01010	PA2000/B010P03/05-SBG14MS	0...10		
PB01016	PA2000/B016P03/05-SBG14MS	0...16		
PB01025	PA2000/B025P03/05-SBG14MS	0...25		
PB01040	PA2000/B040P03/05-SBG14MS	0...40		
PB01060	PA2000/B060P03/05-SBG14MS	0...60		
PB01100	PA2000/B100P03/05-SBG14MS	0...100		
PB01160	PA2000/B160P03/05-SBG14MS	0...160		
PB01250	PA2000/B250P03/05-SBG14MS	0...250		
PB01400	PA2000/B400P03/05-SBG14MS	0...400		
PB01600	PA2000/B600P03/05-SBG14MS	0...600		
PB01800	PA2000/B800P03/05-SBG14MS	0...800		
PB01A01	PA2000/B001A03/05-SBG14MS	0...1	Absolute Pressure	
PB01A02	PA2000/B002A03/05-SBG14MS	0...2		
PB01A04	PA2000/B004A03/05-SBG14MS	0...4		
PB01A06	PA2000/B006A03/05-SBG14MS	0...6		
PB01A10	PA2000/B010A03/05-SBG14MS	0...10		
PB01A16	PA2000/B016A03/05-SBG14MS	0...16		
PB01A25	PA2000/B025A03/05-SBG14MS	0...25		
PB01A50	PA2000/B050A03/05-SBG14MS	0...50		