

TA2000-General Temperature Transmitter

- ▶ Standard model
- ▶ Measuring range from -200°C to 600°C, customized available
- ▶ 2-wire type 4... 20mA output
- ▶ 304 stainless steel wetted parts
- ▶ Metal housing

TA2000 series is a temperature transmitter with a wide measuring range. It uses PT1000 thermal resistance for temperature. The signal is processed by the rear processing circuit and converted into a standard industrial electrical signal output. All metal casing design allows the series of products can be used in a variety of industrial applications.



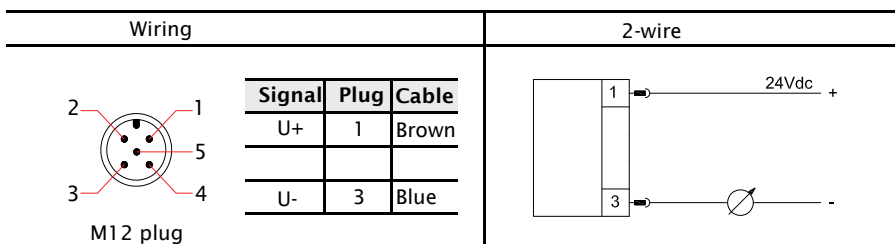
Specifications

Power Supply	10...30Vdc
Current Consumption	
2-wire	Same as current output(4...20mA)
2-wire Current Output	
Output	2-wire 4...20mA
LoadRA(Ω)	RA(US-10)V/0.02A
Linearity	≤±0.5% of F.S.
Sensor	PT1000 classA
Accuracy	≤±0.2% of F.S.
Temperature	
Medium	-50...100°C/-50...150°C/-50...200°C
(Measuring Range)	0...100°C/0...150°C/0...200°C/-200...600°C
Ambient/Storage	-40...+85°C
Material	
Housing	304 stainless steel
Wetted Parts	304 stainless steel
Protection Class	IP67(M12×1 plug)
Electrical Connection	M12×1 plug
Process Connection	G1/4 external thread ED seal

Applications

- ▶ Iron and steel industry
- ▶ Circulating water/coolant
- ▶ Machinery manufacturing
- ▶ Oil/Gas industry
- ▶ Water treatment
- ▶ Glass industry

Wiring



Dimensions in inches (mm)

Probe with gooseneck tube for high temperature, apply to: C-50-150°C

C-50-200°C

C 0-150°C

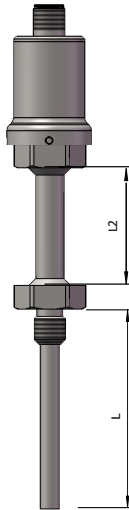
C 0-200°C

C-200-600°C

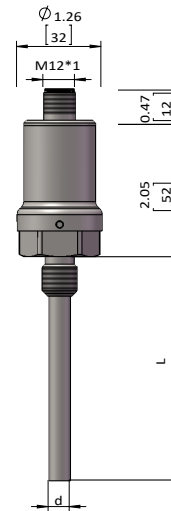
Upper Limit	L2	
	inch	mm
150°C	0	0
200°C	1.97	50
600°C	3.94	100

Note: Same size except cooling neck

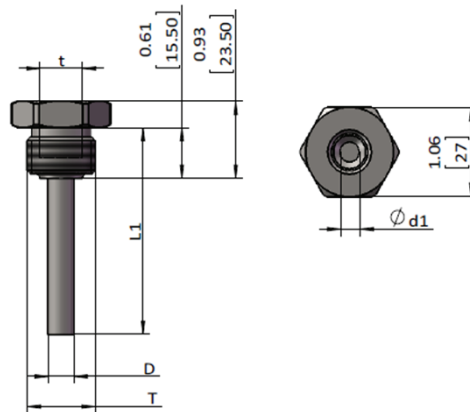
Neck type with heat dissipation



Standard type



Probe matching tube size



T	t	d	d1	D	L1
G1/2	G1/4	6	8	10	L-15

Model Number

OrderNO.	Type	Rod Length mm	Temperature °C
TB0002,5	TA2000/-C-50-100/02/42G14MSM010D6	25	-50...100°C
TB0005,0	TA2000/-C-50-100/02/42G14MSM035D6	50	
TB00010	TA2000/-C-50-100/02/42G14MSM085D6	100	
TB00015	TA2000/-C-50-100/02/42G14MSM135D6	150	
TB00025	TA2000/-C-50-100/02/42G14MSM235D6	250	
TB00035	TA2000/-C-50-100/02/42G14MSM335D6	350	
TB0012,5	TA2000/-C-50-150/02/42G14MSM010D6	25	-50...150°C
TB0015,0	TA2000/-C-50-150/02/42G14MSM035D6	50	
TB00110	TA2000/-C-50-150/02/42G14MSM085D6	100	
TB00115	TA2000/-C-50-150/02/42G14MSM135D6	150	
TB00125	TA2000/-C-50-150/02/42G14MSM235D6	250	
TB00135	TA2000/-C-50-150/02/42G14MSM335D6	350	
TB0022,5	TA2000/-C-50-200/02/42G14MSM010D6	25	-50...200°C
TB0025,0	TA2000/-C-50-200/02/42G14MSM035D6	50	
TB00210	TA2000/-C-50-200/02/42G14MSM085D6	100	
TB00215	TA2000/-C-50-200/02/42G14MSM135D6	150	
TB00225	TA2000/-C-50-200/02/42G14MSM235D6	250	
TB00235	TA2000/-C-50-200/02/42G14MSM335D6	350	
TB032,5	TA2000/-C0-100/02/42G14MSM010D6	25	0...100°C
TB035,0	TA2000/-C0-100/02/42G14MSM035D6	50	
TB0310	TA2000/-C0-100/02/42G14MSM085D6	100	
TB0315	TA2000/-C0-100/02/42G14MSM135D6	150	
TB00325	TA2000/-C0-100/02/42G14MSM235D6	250	
TB00335	TA2000/-C0-100/02/42G14MSM335D6	350	
TB0042,5	TA2000/-C0-150/02/42G14MSM010D6	25	0...150°C
TB0045,0	TA2000/-C0-150/02/42G14MSM035D6	50	
TB00410	TA2000/-C0-150/02/42G14MSM085D6	100	
TB00415	TA2000/-C0-150/02/42G14MSM135D6	150	
TB00425	TA2000/-C0-150/02/42G14MSM235D6	250	
TB00435	TA2000/-C0-150/02/42G14MSM335D6	350	
TB0052,5	TA2000/-C0-200/02/42G14MSM010D6	25	0...200°C
TB0055,0	TA2000/-C0-200/02/42G14MSM035D6	50	
TB00510	TA2000/-C0-200/02/42G14MSM085D6	100	
TB00515	TA2000/-C0-200/02/42G14MSM135D6	150	
TB00525	TA2000/-C0-200/02/42G14MSM235D6	250	
TB00535	TA2000/-C0-200/02/42G14MSM335D6	350	
TB0062,5	TA2000/-C-200-600/02/42G14MSM010D6	25	-200...600°C
TB0065,0	TA2000/-C-200-600/02/42G14MSM035D6	50	
TB00610	TA2000/-C-200-600/02/42G14MSM085D6	100	
TB00615	TA2000/-C-200-600/02/42G14MSM135D6	150	
TB00625	TA2000/-C-200-600/02/42G14MSM235D6	250	
TB00635	TA2000/-C-200-600/02/42G14MSM335D6	350	

Note: Other range, process connection, electrical connection can be customized